

KLÜGER

BUS POWER COUPLER EU BUSANKOPPLER EU



Overview

The B-PI EU.01 is a BUS coupler for the panels and keypads, with a backing plate designed especially for Europe. The coupler can be mounted on any wall, and its colour coded plugs dramatically simplify the installation process.

The B-PI EU.01 is a new 4th generation UK standard BUS panel coupler, it is able to supply DC power and communication signals to Klüger panels and sensors. The interface is specifically designed for the UK market as it has a backing plate matched to standard UK switch plates. This allows simple installation, with minimal modification to the exiting mount or wall.

The slip gap design allows a user to quickly and easily separate the panel from the power interface. This minimizes installation time, and makes user servicing a possibility as no specialist tools or equipment are required.

Technical Details

Power supply	DC12 – 30V
Communication interface	Klüger BUS
Working temperature	-5°C~45°C
Working relative humidity	Up to 90%
Storage temperature	-20°C~+60°C
Storage relative humidity	Up to 93%
Dimensions	80×80×28.5 (mm)
Net weight	96(g)
Housing material	Steel, ABS
Installation	EU wall box
Protection rating	IP20
CE, RoHS, UL Approved	

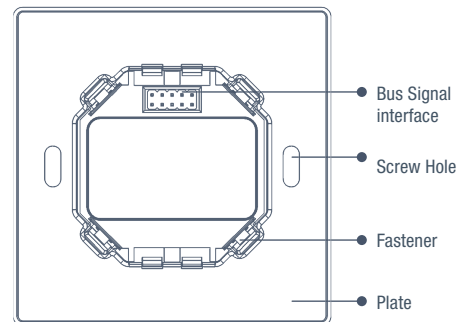
Features

- This panel coupler is the universal base for different EU switches.
- It has the Klüger Bus interface. It must work in conjunction with panel or Sensor

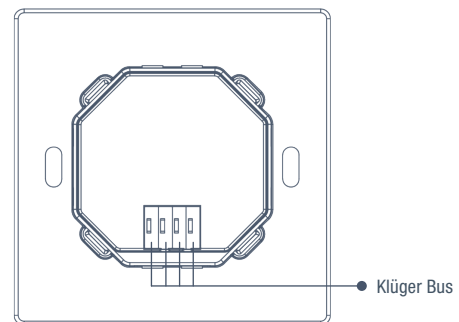
Safety Instructions

- The screw down torque should not exceed 0.1Nm.
- The panel coupler should be installed indoors only.
- Wrong connections on the bus interface will damage it.
- Never let liquids get into this module, it will damage this device.
- Do not allow AC power into the Bus interface, it will damage all the devices in the system.
- Do not allow the panel interface to come into contact with liquids or corrosive gases.
- Ensure good ventilation.

Installation



Front View



Back View